

**Instruction Manual for
EMWL Bayonet Holder for Ø70/90 Float Arm**

PN# 87516, #87517

FOREWORD

Thank you for your purchase of a NAUTICAM product.

At NAUTICAM, we pride ourselves in the ability to recognize the requirements of professional as well as amateur underwater photographers and fulfill them through the innovative designs of our products. We strive to achieve a high level of user-friendliness by allowing stress-free installation and easy operation of all important functions of the camera.

Please read this manual carefully before using the product, this will maximize its performance as well as its lifetime.

WARRANTY

All NAUTICAM Products are warranted against any material and manufacturing defects for two years from the date of purchase for consumer use. This warranty only applies to products purchased from authorized NAUTICAM dealers and does not extend beyond the original retail purchaser.

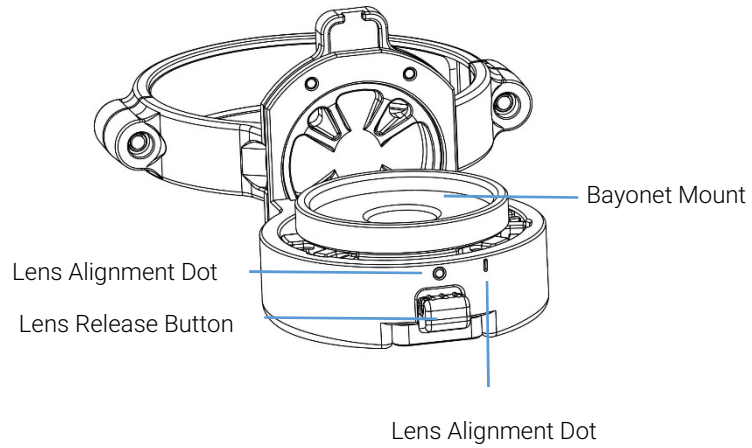
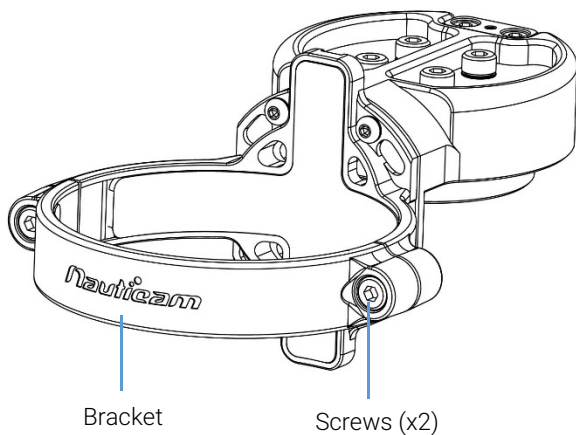
To return your product for service, please contact your regional authorized service center(s). Please note that this warranty only applies when the product is purchased in the territory where the service center is located.

NAUTICAM does not hold responsibility for damage, of any nature, to any equipment used with and/or placed within our products.

NAUTICAM accepts no liability for any loss of captured images or the inability to capture images even if it is due to the malfunctioning of our products.

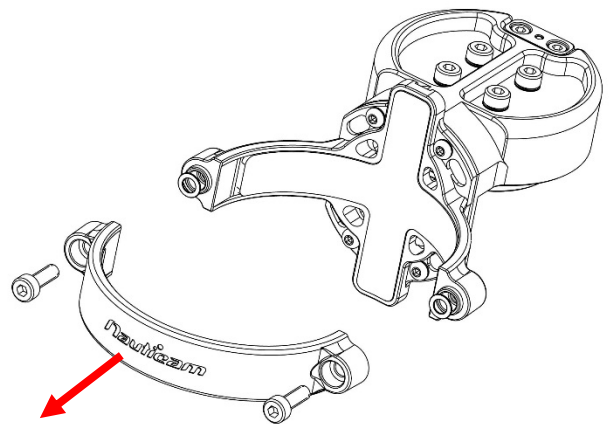
Unauthorized modifications and/or repairs of our products will automatically invalidate the warranty.

IDENTIFICATION OF PARTS

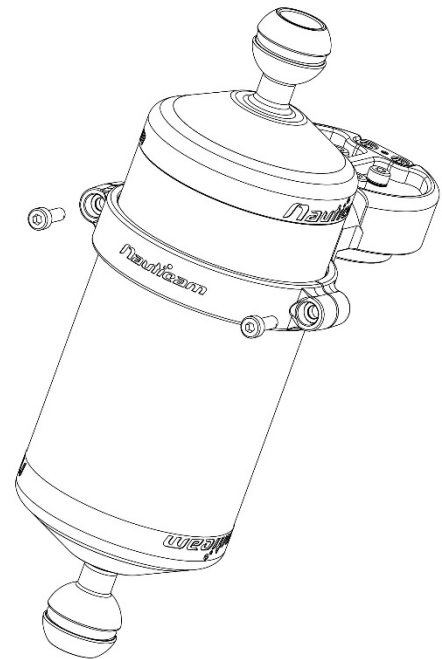


**Remark: the illustrators in this manual may differ from the actual product.*

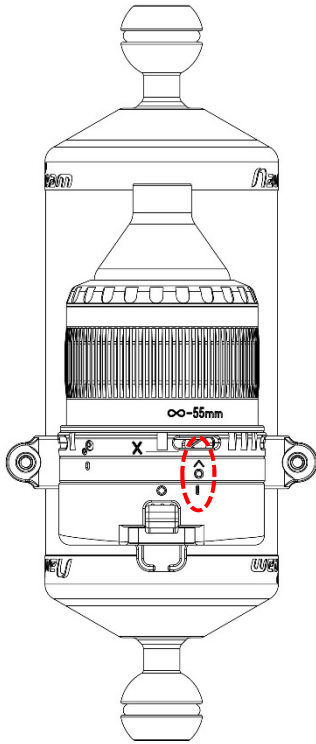
INSTALL ON THE FLOAT ARM



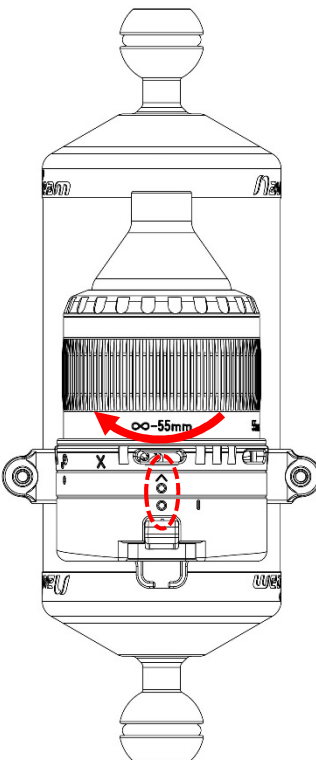
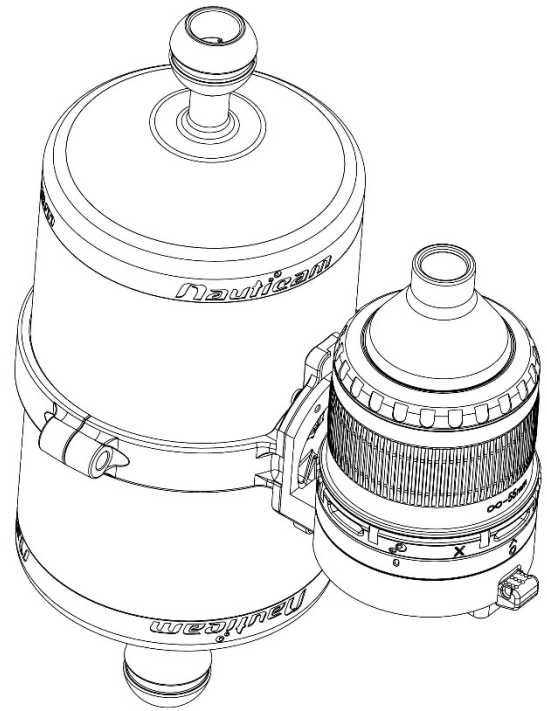
1. Remove the bracket from the bayonet holder by unscrewing the two screws.



2. Place a float arm and the bracket as shown, then secure the bayonet holder by tightening the two screws.



- Align the 'I' mark on the bayonet holder with 'O' mark on the EMWL Objective lens and then push it in.



- Turn the EMWL objective lens clockwise until 'O' mark on the lens aligns with the 'O' dot on the bayonet holder and a 'click' sound is heard.

To unmount the objective lens, press and hold the RED lens release button and then turn the lens counterclockwise. Then, remove the lens when 'O' mark on the lens aligns with the 'I' mark on the bayonet holder.

SPECIFICATIONS

PN#	Description	Weight (air/underwater)
87516	EMWL Bayonet Holder for Ø70 Float Arm	180g / 55g
87517	EMWL Bayonet Holder for Ø90 Float Arm	190g / 60g

COMPATIBILITIES

	87516 EMWL Bayonet Holder for Ø70 Float Arm	87517 EMWL Bayonet Holder for Ø90 Float Arm
Compatible Float Arms	72216 / 72217 / 72218	72219 / 72220
Compatible Lenses:	87221 EMWL 60° Objective Lens 87222 EMWL 100° Objective Lens 87223 EMWL 130° Objective Lens	

Remark: Nauticam supports only e-manuals. Please download corresponding product manuals on Nauticam.com website, or contact us for e-manuals.